

Dual Circuit Plus 300A Mini Battery Switch

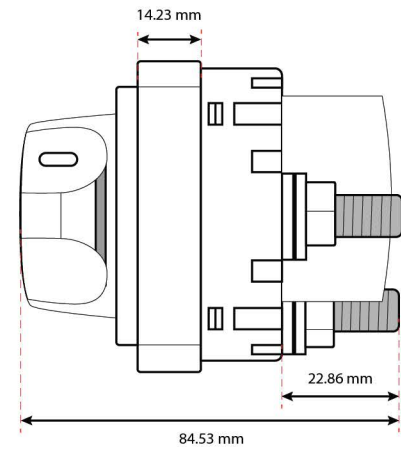
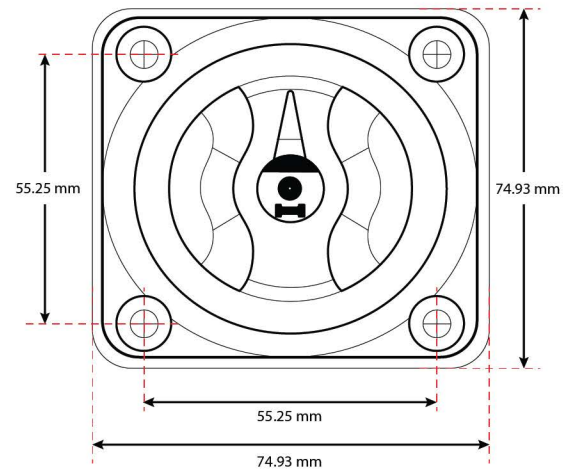
AS323002BP



Product Properties

Terminal Stud Size	M10 (3/8"-16)
Cable Size	4/0 AWG (120mm ²)
Cable Clearance	28.4mm (1.12")
Mounting Holes	#10 (M5) Screw
Terminal Stud Material	Tinned Copper
Terminal Stud Torque	120 in-lb (13.56N-m)
Colour	Black

Product Dimensions



Features

Switch Type	Dual Circuit Plus
Battery Inputs	2
Switch Positions	2
Battery Combine	Yes
Maximum Voltage	32V DC
Continuous Rating	300A
Intermittent Rating	450A
Cranking Rating	675A

Suitable for:

