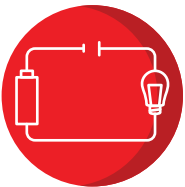




## ALVOLTA 12 CIRCUIT FUSE BOX - WITH NEGATIVE BUS & COVER

**AFB12W**

### Key Features:



12 Individual Circuits



30A Output per Circuit



Protective Cover



Negative Busbar



Durable Design

### Suitable for:



**3 YEAR**  
WARRANTY

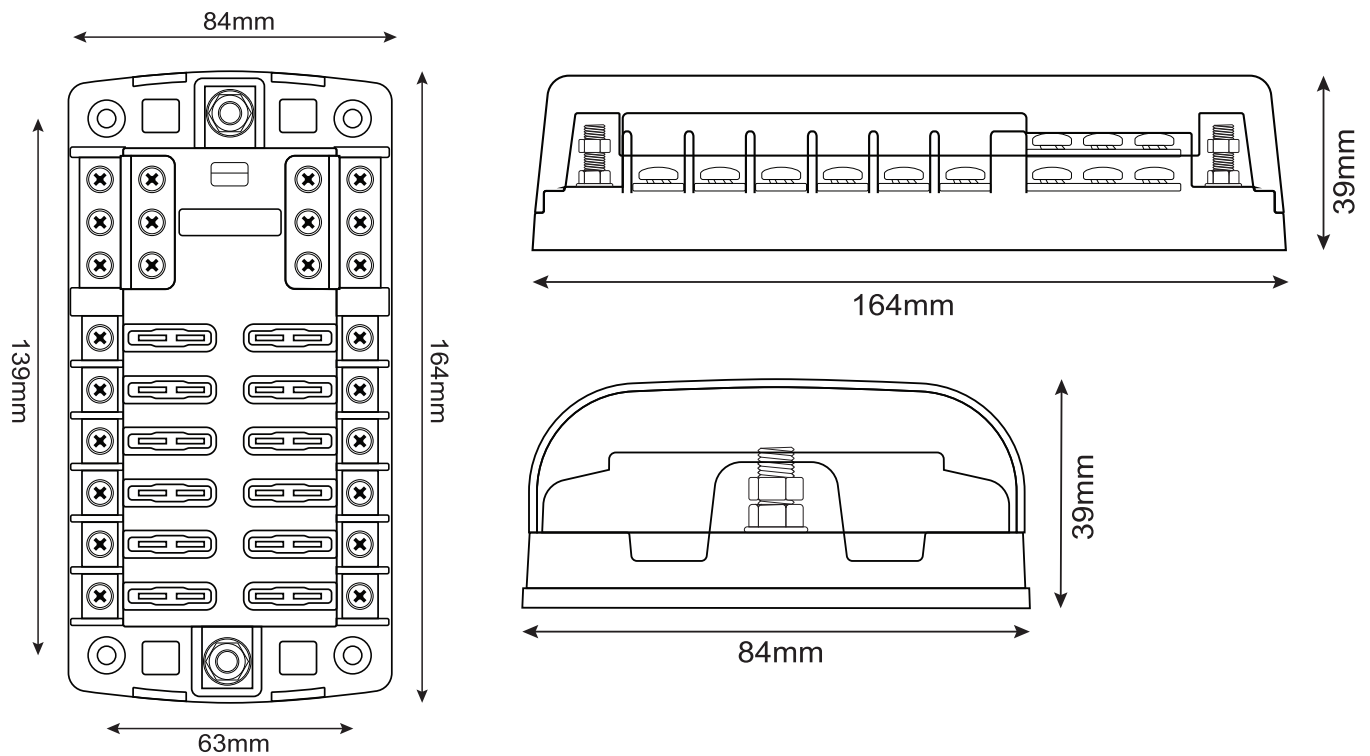
# ALVOLTA 12 CIRCUIT FUSE BOX - WITH NEGATIVE BUS & COVER

## AFB12W

### Specifications:

Maximum Input Voltage	32V DC
Maximum Input Current	100A
Maximum Amperage per Circuit	30A
Maximum Amperage per Block	100A
Fuse Type	Blade Fuses (ATO/ATC/ATP)
Fuse Rating	1 - 30A DC
Negative Bus	#10-32 Stud
Positive Bus	#10-32 Stud
Terminal Material	Stainless Steel
Contact Strip Material	Nickle-Plated Copper
Base Material	PBT Plastic
Cover	Translucent Plastic (PC)
Colour	Black
Dimensions	164 x 84 x 39mm

### Model Diagram:



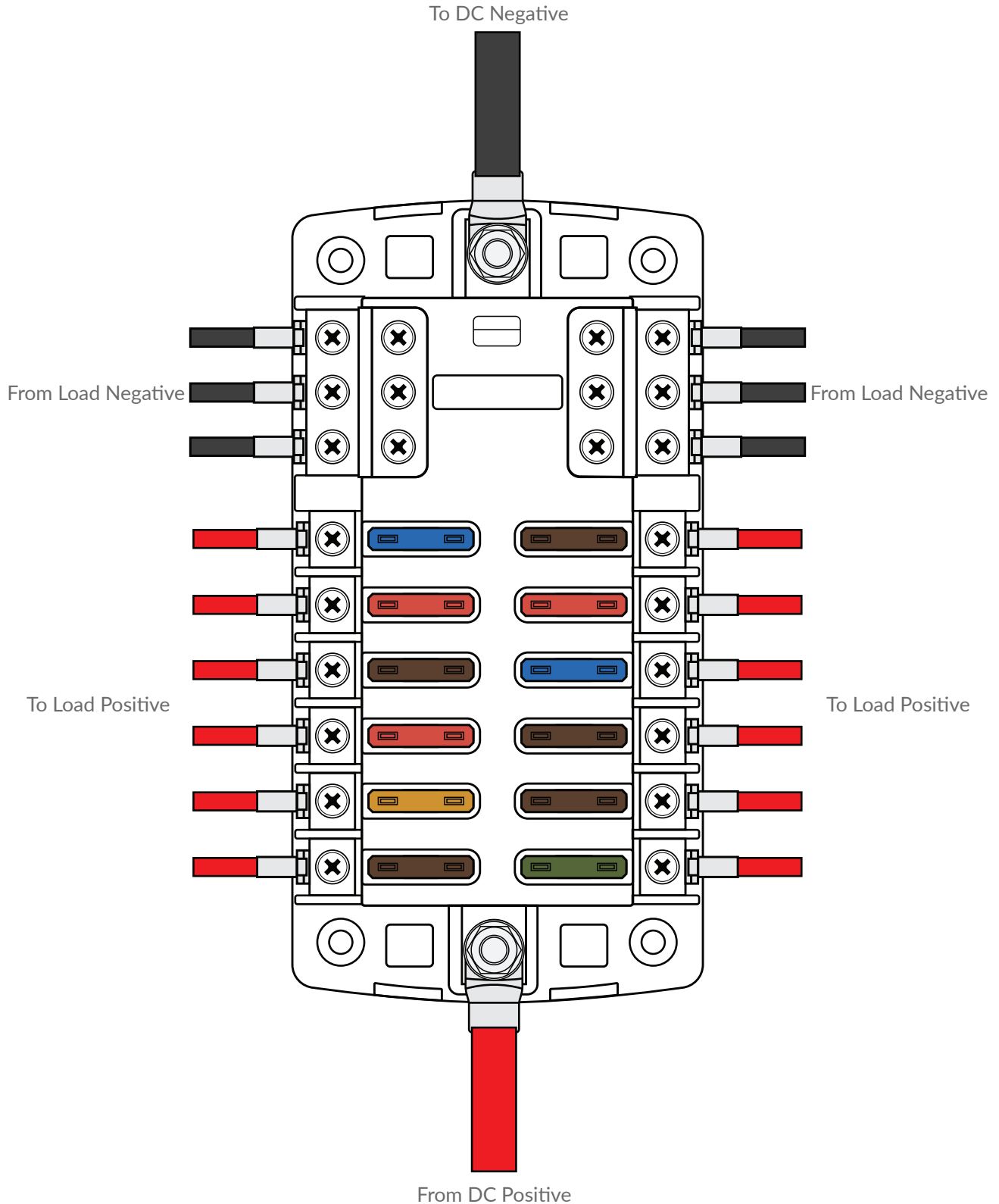
### Inclusions:

- Fuse Block
- Circuit Labelling Stickers

# ALVOLTA 12 CIRCUIT FUSE BOX - WITH NEGATIVE BUS & COVER

## AFB12W

### Wiring Diagram:



\*All data and specifications provided in this datasheet are tested under standard test conditions, and may deviate marginally from actual values. Alvolta and its associates reserve the right to make modifications to the provided information without notice. Alvolta maintains the goal to supply customers with the most recent information regarding its products.